

SL Automatic

Standard with LeanWrap™

Less Waste, Safer Loads

Patented innovations that overcome today's stretch wrapping challenges

Changes to primary packaging, product mix and environmental concerns make loads harder to wrap every day.

The right containment force applied consistently remains the key to stretch wrapping your loads successfully.

Automatic Stretch Wrapping System



Load Quality and Consistency



Metered Film Delivery®



Doubles the wrap force per revolution

- No load twisting
- No load crushing
- Fewer film breaks



Load Seeking Clamp® 4.0

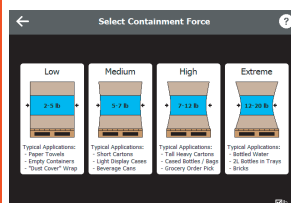


Eliminates major source of film breaks

- No loose or dragging film tails
- Maintains containment force at bottom of load
- Enables wrapping to all four corners of the pallet



Load Guardian®



Simplifies the process of stretch wrapper set up

- Intuitive controls for operators
- Containment force monitoring
- Provides wrapping data
- Built in help screens



Pallet Grip®



Lock your load to the pallet and stop loads from sliding

- Rolls bottom 3 - 5" of film into a cable
- Drives it down beneath deck boards on pallet
- Stops film from being torn and punctured by fork truck

SL Automatic

Standard Specifications - options available

SPEC ITEM	EU SPECS	US SPECS
Performance		
Production Speed	Up to 110 LPH based on load size, wrap pattern, options and conveyor speed	
Maximum Load Size	1371mm L x 1219mm W x 2032mm H	54"L x 48"W x 80"H
Minimum Load Size	914mm L x 914mm W x 685mm H	36"L x 36"W x 27"H
Maximum Load Weight	Based on Conveyor Capacity	
Load Handling and Film Delivery System		
Rotation Speed	1-40 RPM	
Film Capacity	508mm web with 254mm diameter	20" web with 10" diameter
Film Cut and Clamp	Standard	
Metered Film Delivery	Standard	
Load Guardian	Standard	
Load Seeking Clamp 4.0	Standard	
Electrical		
Power	400Y230/3L50Hz	460VAC/3/60Hz
Control	PLC with Profinet Communications	PLC with Ethernet Communications
HMI	Siemens Simatic HMI TP700	AB PanelView Plus 7
PLC	Siemens S7-1500 Series	AB CompactLogix
Wiring	Pre-wired with quick connect cables	
Pneumatic Data		
Pneumatic Data	85-150 l/min @ 6 bar	3-5 cfm @ 80 PSI
Service Support		
Technical Support	24hrs/7 Days	

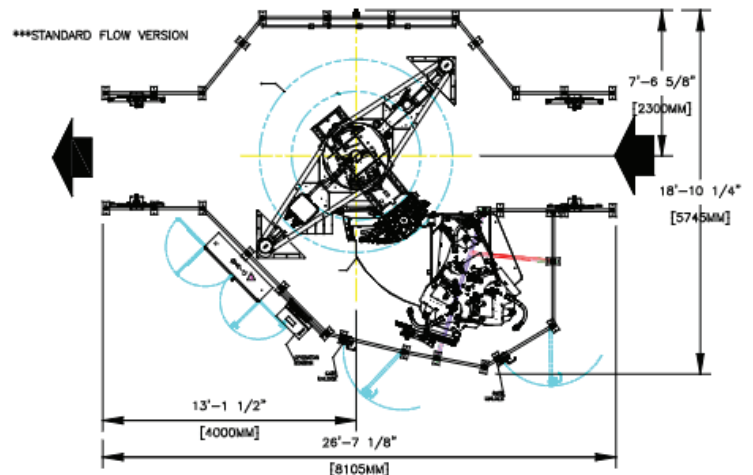
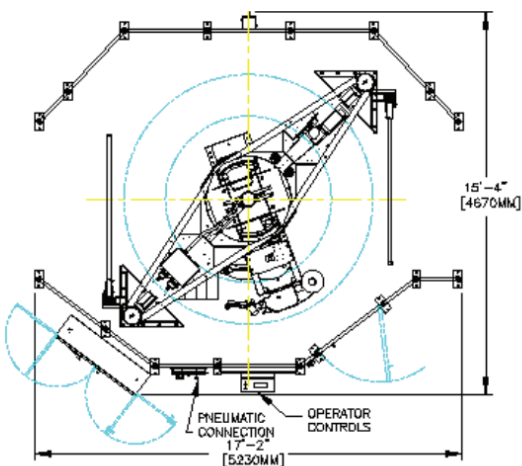
Automatic Roll Change (ARC)*

*SLA with ARC available North American only



Optional ARC

Holds 3 additional rolls of film
Reduces downtime associated with operator roll changes
Eliminates the chaos created by unscheduled end of line downtime



* SLA with ARC not currently available outside North America

Click or scan to learn more about the:



SLA



NEW ARC

Lantech[®]