

Maximize productivity and performance while delivering safe-to-ship loads every time at the lowest cost and lowest carbon footprint.

LeanWrap® machines produce the best loads and deliver more uptime in real world environments

- Metered Film Delivery®
- Load Seeking Clamp® 4.0
- Load Guardian®
- Pallet Grip®
- Options: Automatic Roll Change & LINC®

Safety is never an option

- Full fencing comes standard
- PLd electrical & PLC pneumatics as standard
- Designed to keep operators out of harms way

Committed to ensuring machines stay running

- 3-year warranty - no exclusions, unlimited cycles, no exceptions.
- Regionally-based, 24/7 global technical and customer support
- Most parts ship same day

"When you buy Lantech, you will always have people who care and who know more about wrapping pallets than anyone else in the world, ready to support you."

-Jim Lancaster, CEO Lantech



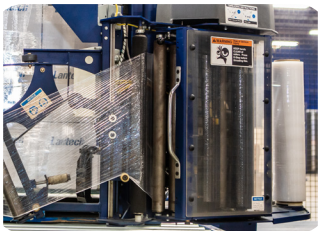
Click or Scan to Read More From Jim

DID YOU KNOW?

A food and beverage company, wrapping over 350,000 loads per year, reduced their film consumption by 25% with Lantech's Metered Film Delivery® System.



Metered Film Delivery®

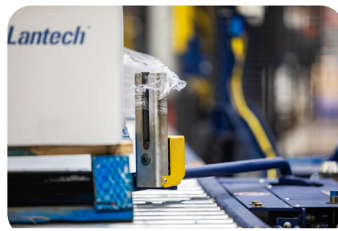


More containment force with less film and less film breaks

- Better loads
- Does not crush or twist the load
- Lowers film usage



Load Seeking Clamp® 4.0

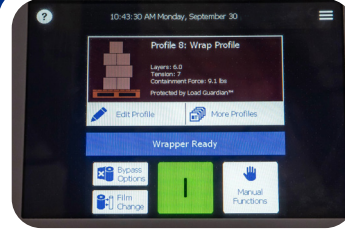


Eliminates major source of film breaks

- Moves out to load to stop film tenting at film clamp
- Maintains containment force at bottom of load
- Enables wrapping of all four corners



Load Guardian®



Creates, Maintains, & Delivers the right containment force for safe-to-ship loads

- Simple, intuitive controls
- Eliminates operator guesswork
- Reduces load damage



Pallet Grip®



Lock your load to the pallet

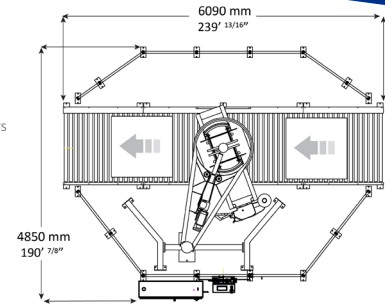
- Stops loads from sliding off pallets during transit
- Reduces returned goods and transit damage
- Lowers costs and carbon footprint

Standard Specifications - options available	
SPEC ITEM	GLOBAL SPECS
PERFORMANCE	
Production Speed	Single Leg Machines 1-50 LPH Standard
	High Speed Two Leg Machines 1 - 110 LPH Standard
Maximum Load Size	1371 mm L x 1219 mm W x 2032 mm H 54" L x 48" W x 80" H
Minimum Load Size	914 mm L x 914 mm W x 685 mm H 36" L x 36" W x 27" H
Maximum Load Weight	Based on Conveyor Capacity
LOAD HANDLING AND FILM DELIVERY SYSTEM	
Rotation Speed	Single Leg Machines 1-15 RPM High Speed Two Leg Machines 1-40 RPM
Pre-stretch	225%
Film Capacity	EU 508 mm Web with 254 mm Diameter US 20" Web with 10" Diameter
Film Cut and Clamp	Load Seeking Clamp® 4.0
Film Delivery System	Metered Film Delivery®
Load Guardian®	Standard
Pallet Grip®	Standard
ELECTRICAL	
Power	EU 400VAC/3/50Hz US 460VAC/3/60Hz
Control	EU PLC with Profinet Communications US PLC with Ethernet Communications
Motor Control	AC Motors Safe-Torque Off (STO)
HMI	EU Siemens 7" Unified Panel US AB PanelView Plus 7
PLC	EU Siemens S7-1500 Series US AB CompactLogix 5380 Series
Wiring	Some pre-wired quick connect cables for easy assembly
PNEUMATIC	
Pneumatic Data	EU 85-150 l/min @ 6 bar US 3-5 cfm @ 80 PSI
SAFETY	
Fencing	In accordance with BS EN ISO 13857 Standard
Performance Level	In accordance with ISO 13849-1 Standard
SERVICE SUPPORT	
Warranty	3 Year Unlimited Cycle Coverage
24/7 Technical Support	EU 31 (0) 485 751 770 US 1 (800) 866-0322

SLA Single Leg Machine
Shown with optional infeed,
wrap zone, and exit conveyors



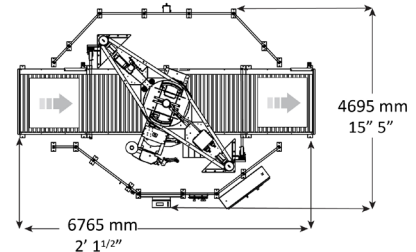
CLICK TO DOWNLOAD



SLA High Speed
Two Leg Machine
Shown with optional infeed,
wrap zone, and exit conveyors



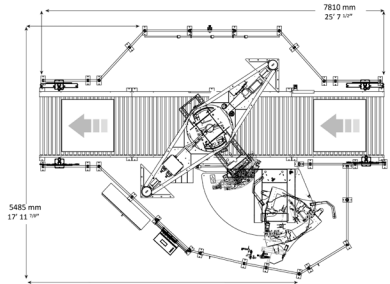
CLICK TO DOWNLOAD



SLA High Speed
Two Leg Machine
Shown with optional
Automatic Roll Change



CLICK TO DOWNLOAD



Automatic Roll Change (ARC)



Reduces operator touches

- Holds 3 additional rolls of film
- Reduces downtime associated with operator roll changes
- Eliminates the chaos created by unscheduled end of line downtime

*SLA with ARC available North American only

OPTION

linc



An IoT Solution

- Remote monitoring system
- Actionable analytics
- Live notifications anytime, anywhere
- [Click here](#) to learn more

OPTION

Click or Scan to Learn More



SLA Product Video



ARC Video



Linc Introduction Video