

Improve productivity and performance while delivering safe-to-ship loads at a lower cost.

Produce **great loads** with more uptime in real world environments

- Power Roller Stretch Plus
- Load Seeking Clamp® 4.0
- Pallet Grip®
- Option: **LINC®** - an IoT solution

Safety is never an option

- Full fencing comes standard
- PLd electrical & PLC pneumatics as standard
- Designed to keep operators out of harms way

Committed to ensuring machines stay running

- 3-year warranty - no exclusions, unlimited cycles, no exceptions.
- Regionally-based, 24/7 global technical and customer support
- Most parts ship same day

"When you buy Lantech, you will always have people who care and who know more about wrapping pallets than anyone else in the world, ready to support you."

-Jim Lancaster, CEO Lantech

Click or Scan to Read More From Jim

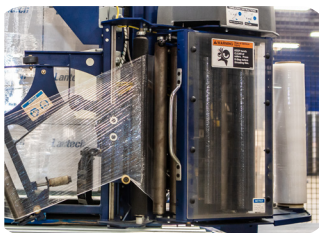


DID YOU KNOW?

Clamp failure causes 25% of film breaks – the leading source of downtime. Load Seeking Clamp® 4.0 eliminates this major source of film breaks.



Power Roller Stretch Plus

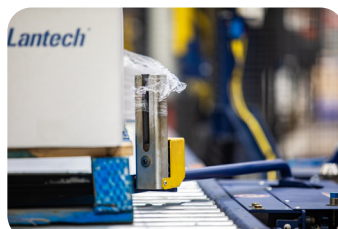


Responds faster and more accurately

- Better corner compensation
- Minimizes corner/product crushing
- 225% pre-stretch standard

NEW

Load Seeking Clamp® 4.0



Eliminates major source of film breaks

- Moves out to load to stop film tenting at film clamp
- Maintains containment force at bottom of load
- Enables wrapping of all four corners

NEW

Pallet Grip®



Lock your load to the pallet

- Stops loads from sliding off pallets during transit
- Reduces returned goods and transit damage
- Lowers costs and carbon footprint

linc



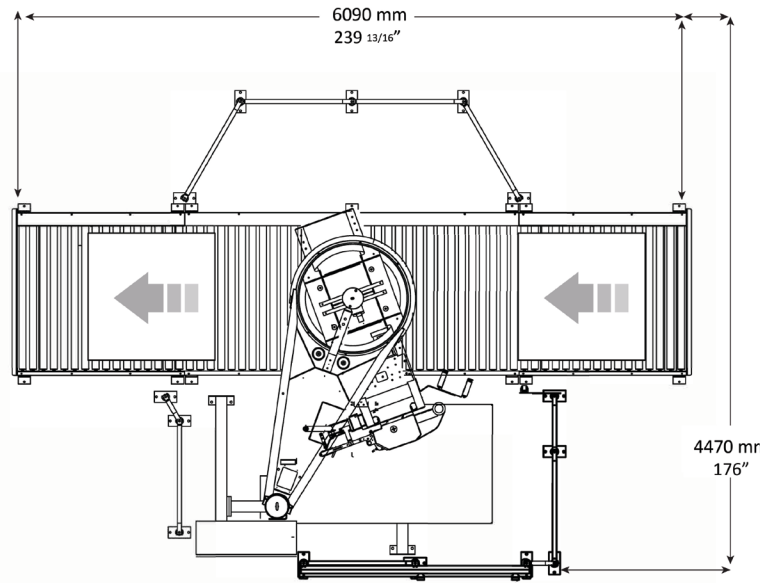
An IoT Solution

- Remote monitoring system
- Actionable analytics
- Live notifications anytime, anywhere
- [Click here](#) to learn more

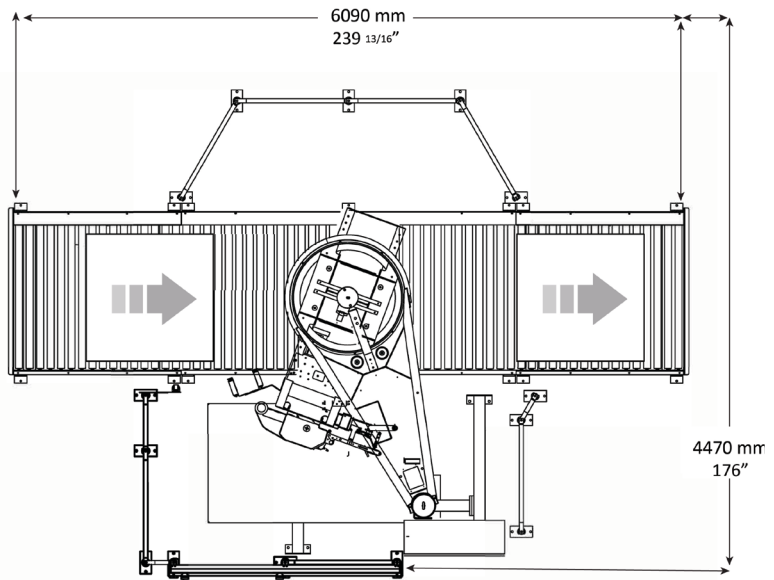
NEW
OPTION

Standard Specifications - options available

SPEC ITEM	GLOBAL SPECS
PERFORMANCE	
Production Speed	1-50 LPH Standard
Maximum Load Size	1371 mm L x 1219 mm W x 2032 mm H 54" L x 48" W x 80" H
Minimum Load Size	914 mm L x 914 mm W x 685 mm H 36" L x 36" W x 27" H
Maximum Load Weight	Based on Conveyor Capacity
LOAD HANDLING AND FILM DELIVERY SYSTEM	
Rotation Speed	1-15 RPM
Pre-stretch	225%
Film Capacity	508 mm Web with 254 mm Diameter 20" Web with 10" Diameter
Film Cut and Clamp	Load Seeking Clamp® 4.0
Film Delivery System	Power Roller Stretch Plus
Pallet Grip®	Standard
ELECTRICAL	
Power	460VAC/3/60Hz
Control	PLC with Ethernet Communications
Motor Control	AC Motors Safe-Torque Off (STO)
HMI	AB PanelView 800
PLC	AB Micro 800 Series
Wiring	Some pre-wired quick connect cables for easy assembly
PNEUMATIC	
Pneumatic Data	3-5 cfm @ 80 PSI
SAFETY	
Fencing	In accordance with BS EN ISO 13857 Standard
Performance Level	In accordance with ISO 13849-1 Standard
SERVICE SUPPORT	
Warranty	3 Year Unlimited Cycle Coverage
24/7 Technical Support	1 (800) 866-0322



Standard Flow: Shown with optional infeed, wrap zone, and exit conveyors



Reverse Flow: Shown with optional infeed, wrap zone, and exit conveyors



Click or Scan to Learn More



SA Product
Video



Pallet Grip
Video



Lantech.com